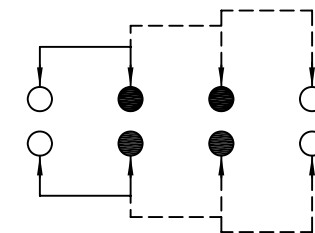
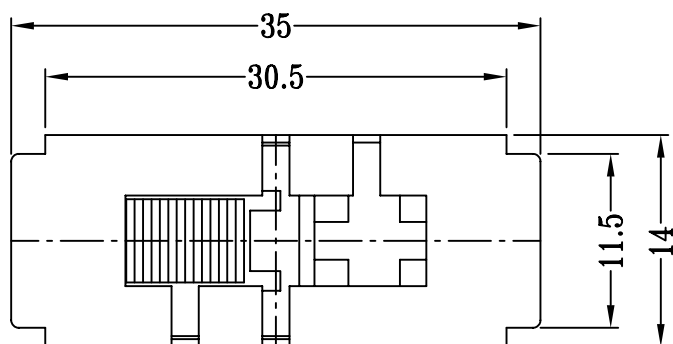
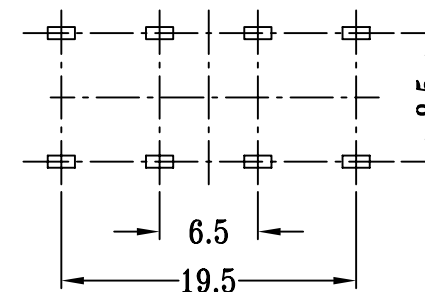
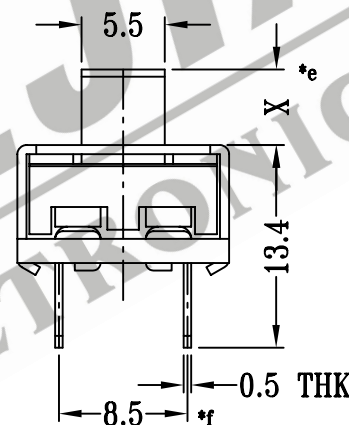
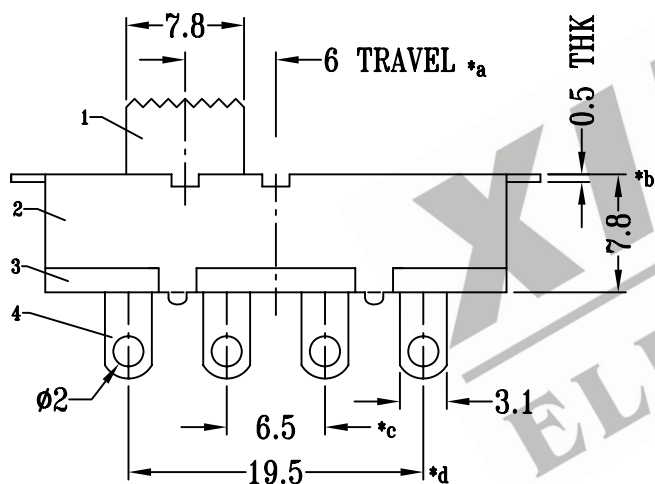




CAD FILE:



SCHEMATIC (NON-SHORTING)



P.C.B LAYOUT

注:带"*"表示关键尺寸(6个)

NO.	PART NAME	MATERIAL	QTY	FINISHING	SHENZHEN XIEJIA ELECTRONICS CO.,LTD.						
8					TOLERANCE UNLESS SPECIFIED						
7	SPRING PLATE	PBS STRIP	1	NATURAL	WITHIN: 1.5±0.1mm OVER : 1.5±0.2mm		ISSUE	DATE	DESCRIPTIONS	APPD	
6	SPRING PLATE	PBS STRIP	2	NATURAL							
5	CONTACT CLIP	COPPER STRIP	2	Ag PLATED	TITLE: VERTICAL SLIDE SWITCH		UNIT : MM		DRWG NO.: XJ-DR-SS23L05-00		
4	TERMINAL	COPPER STRIP	8	Ag PLATED OVER Ni PLATED							
3	BASE	PHENOLIC RESIN	1	BLACK	MODEL: SS-23L05		SCALE: 2:1		DWN	ZHOUYU	2002-4-18
2	FRAME	STEEL STRIP	1	Zn PLATED					CHK'D	FANGYING	2002-4-18
1	KNOB	PC	1	BLACK	ALL MATERIALS MUST BE COMPLIANT TO ROHS		APPD		KANGXINAN	2002-4-18	